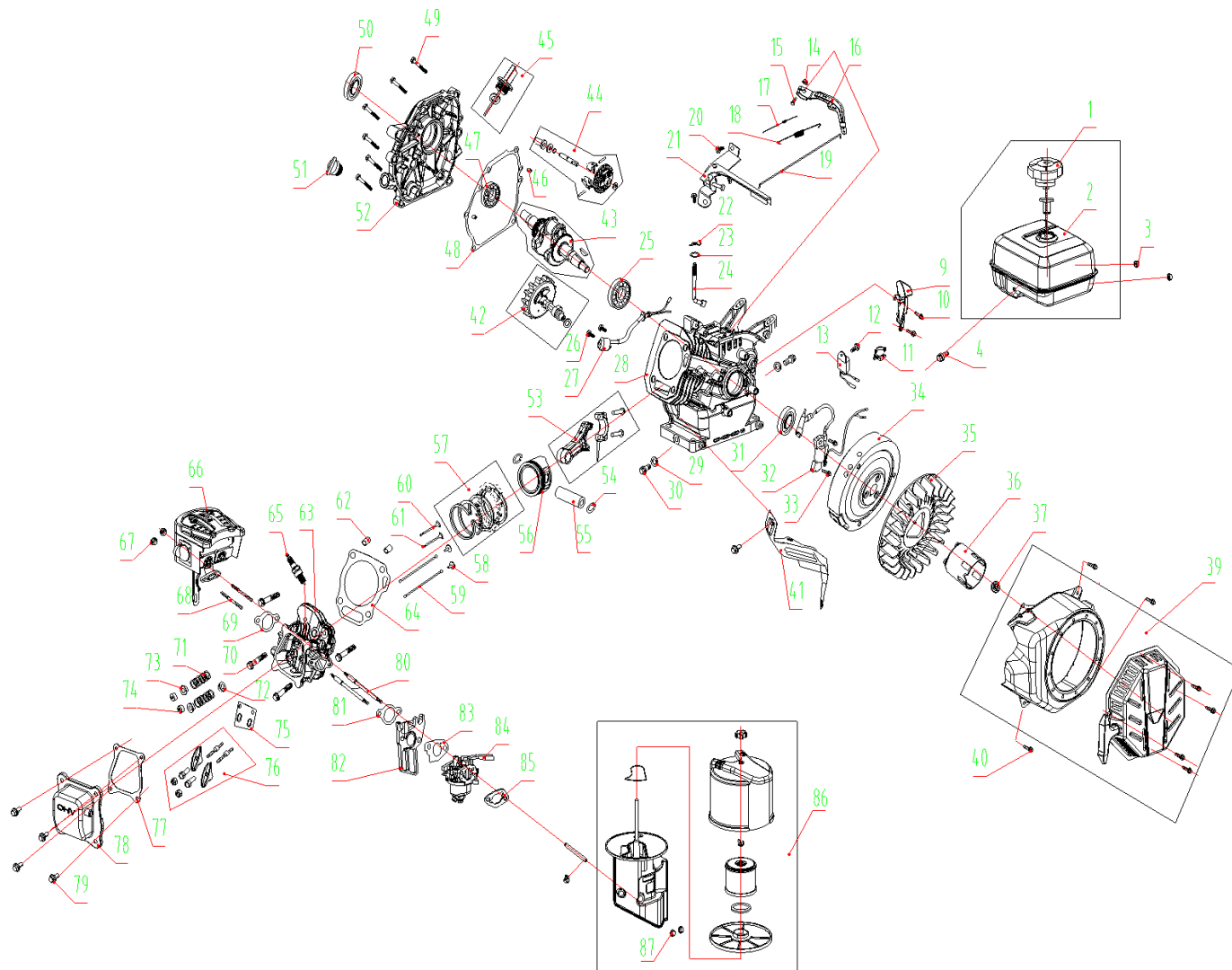


Documentatie tehnica motor motocultor Ruris 732K



Nr.crt	Denumire produs	Product name	Cod comanda
1	buser rezervor	fuel tank cover	ps732k-1-1
2	rezervor combustibil	fuel tank	ps732k-1-2
3	piulita	nut	ps732k-1-3
4	surub	bolt	ps732k-1-4
9	deflector	diversion assy	ps732k-1-9
10	surub	bolt	ps732k-1-10
11	clema	clip	ps732k-1-11

Producător motoutilaje

Documentatie tehnică

12	surub	bolt	ps732k-1-12
13	condensator	capacitor	ps732k-1-13
14	piulita	nut	ps732k-1-14
15	surub	bolt	ps732k-1-15
16	brat regulator	arm governor	ps732k-1-16
17	arc	spring throttle b	ps732k-1-17
18	arc	spring throttle a	ps732k-1-18
19	tija regulator	rod governor	ps732k-1-19
20	surub	bolt	ps732k-1-20
21	ansamblu acceleratie	throttle control assy	ps732k-1-21
22	siguranta	pin	ps732k-1-22
23	saiba	washer	ps732k-1-23
24	ax regulator	shaft governor arm	ps732k-1-24
25	rulment	bearing	ps732k-1-25
26	surub	bolt	ps732k-1-26
27	senzor ulei	oil sensor	ps732k-1-27
28	bloc motor	crank case	ps732k-1-28
29	saiba	washer	ps732k-1-29
30	buson drenaj ulei	bolt drain plug	ps732k-1-30
31	simering	oil seal	ps732k-1-31
32	modul aprindere	coil assy ignition	ps732k-1-32
33	surub	bolt	ps732k-1-33
34	volanta	flywheel	ps732k-1-34
35	ventilator	fan cooling	ps732k-1-35
36	cuplaj	boot cup	ps732k-1-36
37	piulita	piulita	ps732k-1-37
39	ansamblu demaror	starter	ps732k-1-39
40	surub	bolt	ps732k-1-40
41	protectie	protection	ps732k-1-41
42	ansamblu ax came	camshaft assy	ps732k-1-42
43	arbore motor	crankshaft	ps732k-1-43
44	ansamblu regulator	gear governor	ps732k-1-44
45	joja	oil ruler	ps732k-1-45
46	pin de ghidare	pin	ps732k-1-46
47	rulment	bearing	ps732k-1-47
48	garnitura carter	gasket	ps732k-1-48
49	surub	bolt	ps732k-1-49
50	seimering	oil seal	ps732k-1-50
51	buson ulei	oil plug assy	ps732k-1-51
52	capac carter	crank case cover	ps732k-1-52

Producător motoutilaje

Documentatie tehnică

53	ansamblu biela	connecting rod	ps732k-1-53
54	siguranta bolt	clip piston pin	ps732k-1-54
55	bolt piston	pin piston	ps732k-1-55
56	piston	piston	ps732k-1-56
57	set segmenti	ring set	ps732k-1-57
58	tachet	lifter valve	ps732k-1-58
59	tija	rod push	ps732k-1-59
60	supapa evacuare	valve ex	ps732k-1-60
61	supapa admisie	valve in	ps732k-1-61
62	bucsa ghidare	bush	ps732k-1-62
63	chiulasa	head comp clinder	ps732k-1-63
64	garnitura chiulasa	gasket cylinder	ps732k-1-64
65	bujie	plug spark	br4t
66	toba esapament	muffler assy	ps732k-1-66
67	piulita	nut	ps732k-1-67
68	prezon	stud	ps732k-1-68
69	garnitura evacuare	gasket	ps732k-1-69
70	surub	bolt	ps732k-1-70
71	arc supape	spring valve	ps732k-1-71
72	simering supapa	valve guide oil seal	ps732k-1-72
73	taler supape	spring seat for valve in and ex	ps732k-1-73
74	pastila	rotator valve	ps732k-1-74
75	placuta ghidaj	plate	ps732k-1-75
76	ansamblu culbutori	arm valve rocker	ps732k-1-76
77	garnitura capac culbutori	gasket	ps732k-1-77
78	capac culbutori	cover comp head	ps732k-1-78
79	surub	bolt	ps732k-1-79
80	prezon	stud	ps732k-1-80
81	garnitura izolator	gasket for air inlet	ps732k-1-81
82	izolator	insulator	ps732k-1-82
83	garnitura carburator	gasket carburetor	ps732k-1-83
84	carburator	carburetor	ps732k-1-84
85	garnitura filtru aer	gasket for air cleaner	ps732k-1-85
86	ansamblu filtru aer	air cleaner	ps732k-1-86
87	piulita	nut	ps732k-1-87