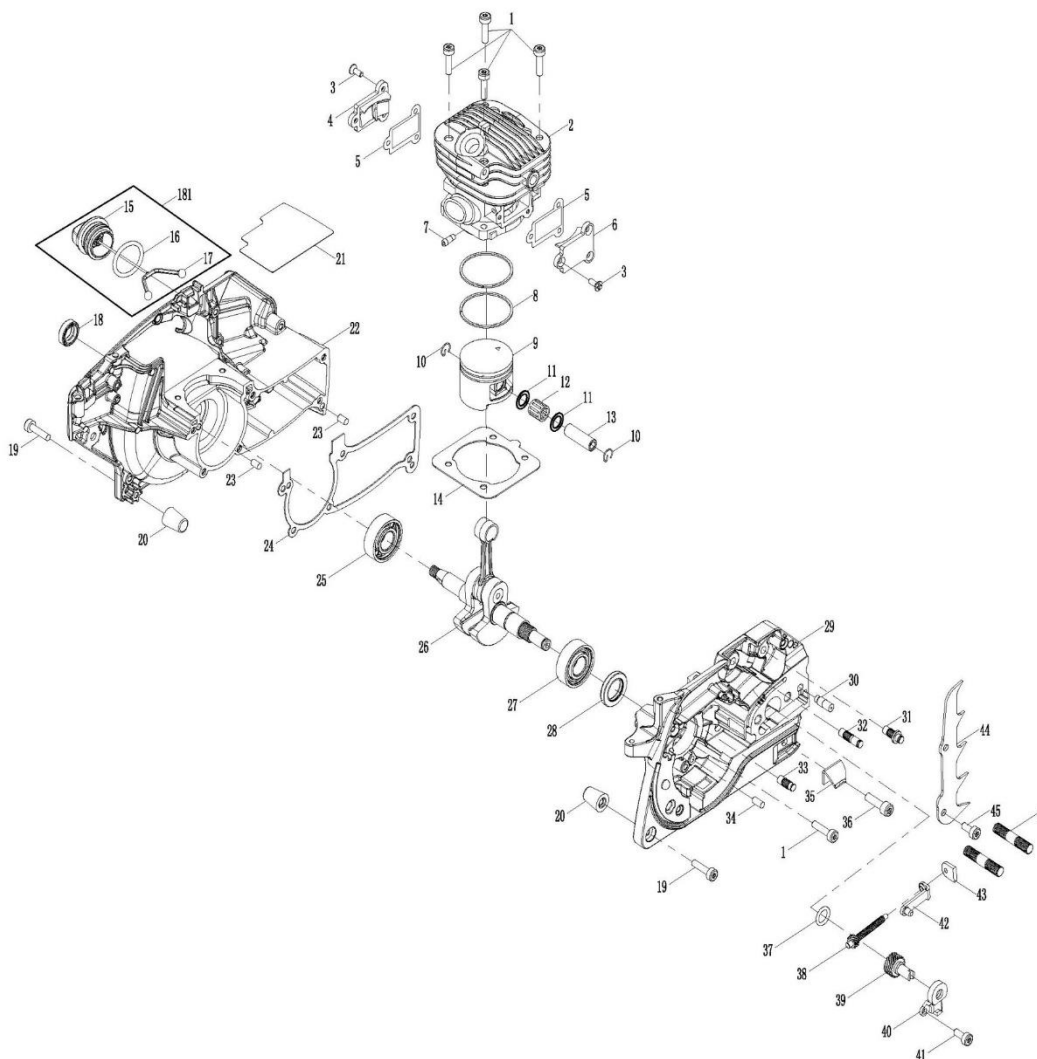


## Documentatie tehnica motoferastrau Ruris RM 500

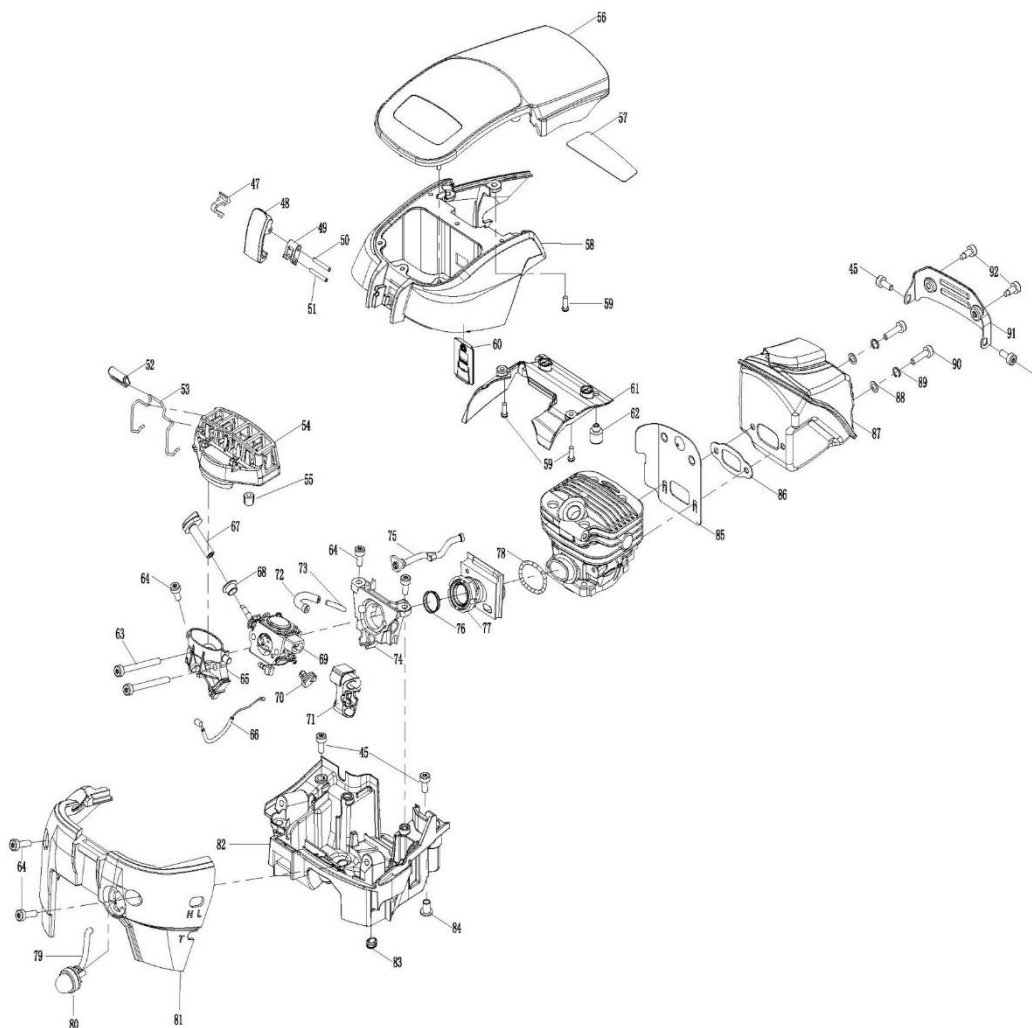


Nr.crt	Denumire produs	Product name	Cod comanda
1	surub	screw M5×20	psrm500-1-1
2	cilindru	cylinder	psrm500-1-2
3	surub	screw M4×8	psrm500-1-3
4	capac stanga	cylinder left cover	psrm500-1-4
5	garnitura capac	cylinder side cover gasket	psrm500-1-5
6	capac dreapta	cylinder right cover	psrm500-1-6
7	supapa	pressure nozzle	psrm500-1-7

## Producător motoutilaje

## Documentatie tehnică

8	segmenti	piston ring	psrm500-1-8
9	piston	piston	psrm500-1-9
10	siguranta	circlip	psrm500-1-10
11	saiba distantoare	anti-friction washer	psrm500-1-11
12	rulment cu ace	needle bearingØ13×Ø10×12.5	psrm500-1-12
13	bolt piston	piston pin	psrm500-1-13
14	garnitura cilindru	cylinder gasket	psrm500-1-14
15	buson ulei	oil tank cap	psrm500-1-15
16	o-ring	O ring Ø22.4×Ø3.55	psrm500-1-16
17	fir fluture	tank cap retainer	psrm500-1-17
18	simering	oil sealing Ø12×Ø20×5	psrm500-1-18
19	surub	screw M5×20	psrm500-1-19
20	amortizor	tank absorber	psrm500-1-20
21	izolator	crankcase heat isolation	psrm500-1-21
22	samicarter stanga	left crankcase	psrm500-1-22
23	pin ghidaj	pin Ø5×10	psrm500-1-23
24	garnitura semicarter	crankcase gasket	psrm500-1-24
25	rulment 6202	bearing 6202	psrm500-1-25
26	ambielaj	crankshaft	psrm500-1-26
27	rulment	bearing	psrm500-1-27
28	simering	oil sealing Ø20×Ø30×5	psrm500-1-28
29	semicarter dreapta	right crankcase	psrm500-1-29
30	supapa	vent nozzle	psrm500-1-30
31	surub	pin for gemel	psrm500-1-31
32	surub	pin for front handle guard	psrm500-1-32
33	surub	pin for brake spring	psrm500-1-33
34	surub	oil pump pin Ø5×14	psrm500-1-34
35	limitator lant	chain catcher	psrm500-1-35
36	surub	screw M6×20	psrm500-1-36
37	o-ring	O ring Ø6×2	psrm500-1-37
38	surub intinzator	tensioner screw	psrm500-1-38
39	antrenor	tensioner gear	psrm500-1-39
40	capac intinzator	gear cover	psrm500-1-40
41	surub	screw M5×12	psrm500-1-41
42	blocator	tensioner block	psrm500-1-42
43	pozitie blocator	position block	psrm500-1-43
44	gheara	spiked bumper	psrm500-1-44
45	surub	screw M5×16	psrm500-1-45
46	surub	bolt AYM8-M8×30	psrm500-1-46
181	ansamblu buson ulei	oil tank cap assembly	psrm500-1-181

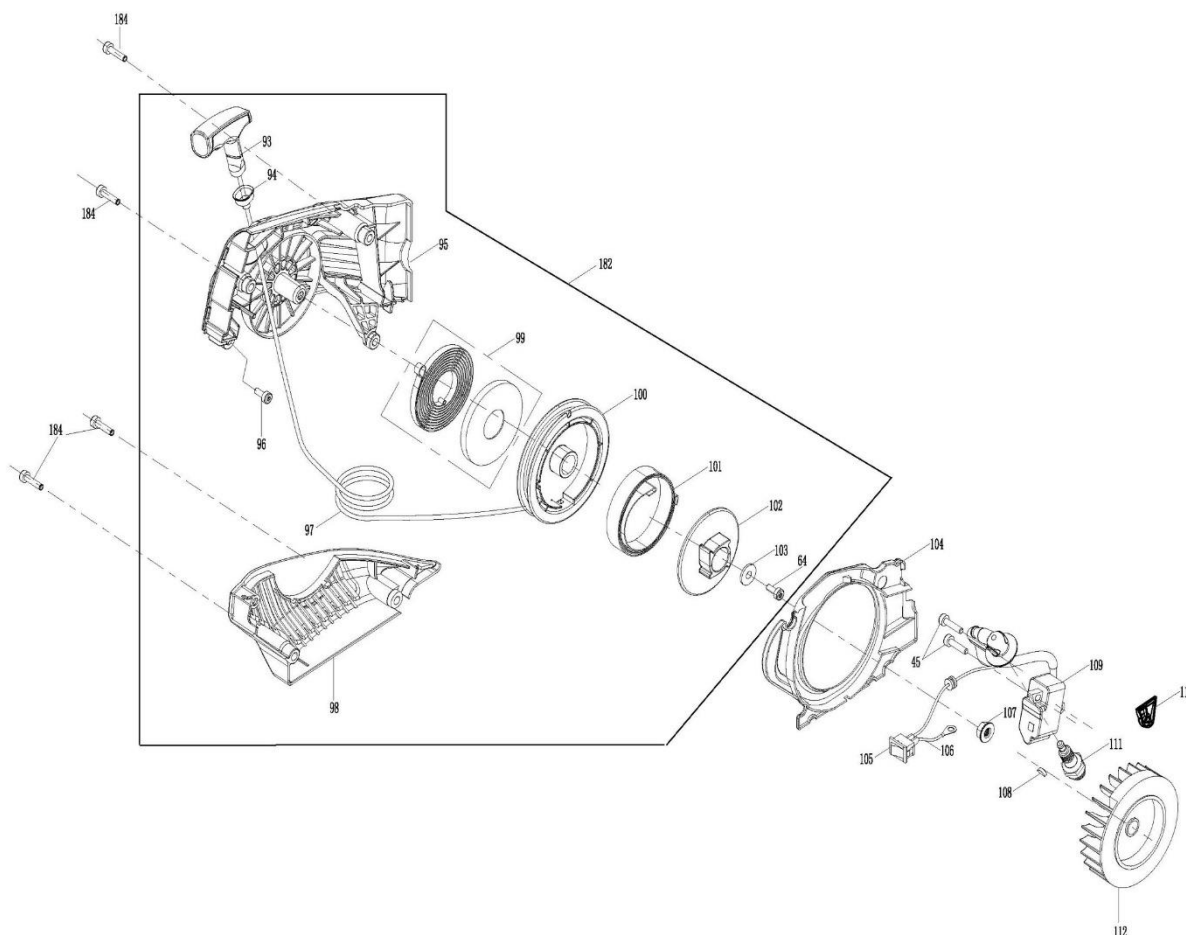


Nr.crt	Denumire produs	Product name	Cod comanda
47	carlig	hook	psrm500-2-47
48	blocator	lock lever	psrm500-2-48
49	conector	transfer bar	psrm500-2-49
50	surub	pin Ø3×22	psrm500-2-50
51	surub	pin Ø3×23	psrm500-2-51
52	protectie	lock knob	psrm500-2-52
53	arc	locking spring	psrm500-2-53
54	filtru aer	air filter	psrm500-2-54
55	amortizor	air filter absorber	psrm500-2-55

## Producător motoutilaje

## Documentatie tehnică

56	capac	cylinder shield	psrm500-2-56
57	izolator	top heat isolation	psrm500-2-57
58	carcasa	cylinder shield base	psrm500-2-58
59	surub	tapping screw ST4×10	psrm500-2-59
60	capac	anti-freezing window	psrm500-2-60
61	protectie cilindru	top flow guiding cover	psrm500-2-61
62	amortizor	rubber absorber	psrm500-2-62
63	surub	screw M5×55	psrm500-2-63
64	surub	tapping screw ST4.8×16	psrm500-2-64
65	suport filtru aer	air filter base	psrm500-2-65
66	cablu acceleratie	throttle cable	psrm500-2-66
67	soc	choke knob	psrm500-2-67
68	suport soc	choke knob base	psrm500-2-68
69	carburator	carburettor	psrm500-2-69
70	parghie cablu	throttle cable roller	psrm500-2-70
71	ghidaj	L/H guider	psrm500-2-71
72	furtun	negatinre pressare bend	psrm500-2-72
73	tub	copper tube	psrm500-2-73
74	suport carburator	carburettor support	psrm500-2-74
75	furtun	pressure tube	psrm500-2-75
76	inel	support ring	psrm500-2-76
77	tub racord	vacuum tube	psrm500-2-77
78	inel	spring ring	psrm500-2-78
79	furtun	pump pipe Ø2.5×Ø5×85	psrm500-2-79
80	pompita	primer bulb	psrm500-2-80
81	carcasa spate	rear cover	psrm500-2-81
82	carcasa	isolation chamber	psrm500-2-82
83	manson	protecting jacket	psrm500-2-83
84	bucsa	inset bush	psrm500-2-84
85	placa izolatoare	front flow guiding cover	psrm500-2-85
86	garnitura toba	muffler gasket	psrm500-2-86
87	toba esapament	muffler	psrm500-2-87
88	saiba	plain washer	psrm500-2-88
89	saiba	spring washer	psrm500-2-89
90	surub	screw M5×20 12.9	psrm500-2-90
91	protectie toba esapament	muffler cover	psrm500-2-91
92	surub	screw M5×15	psrm500-2-92

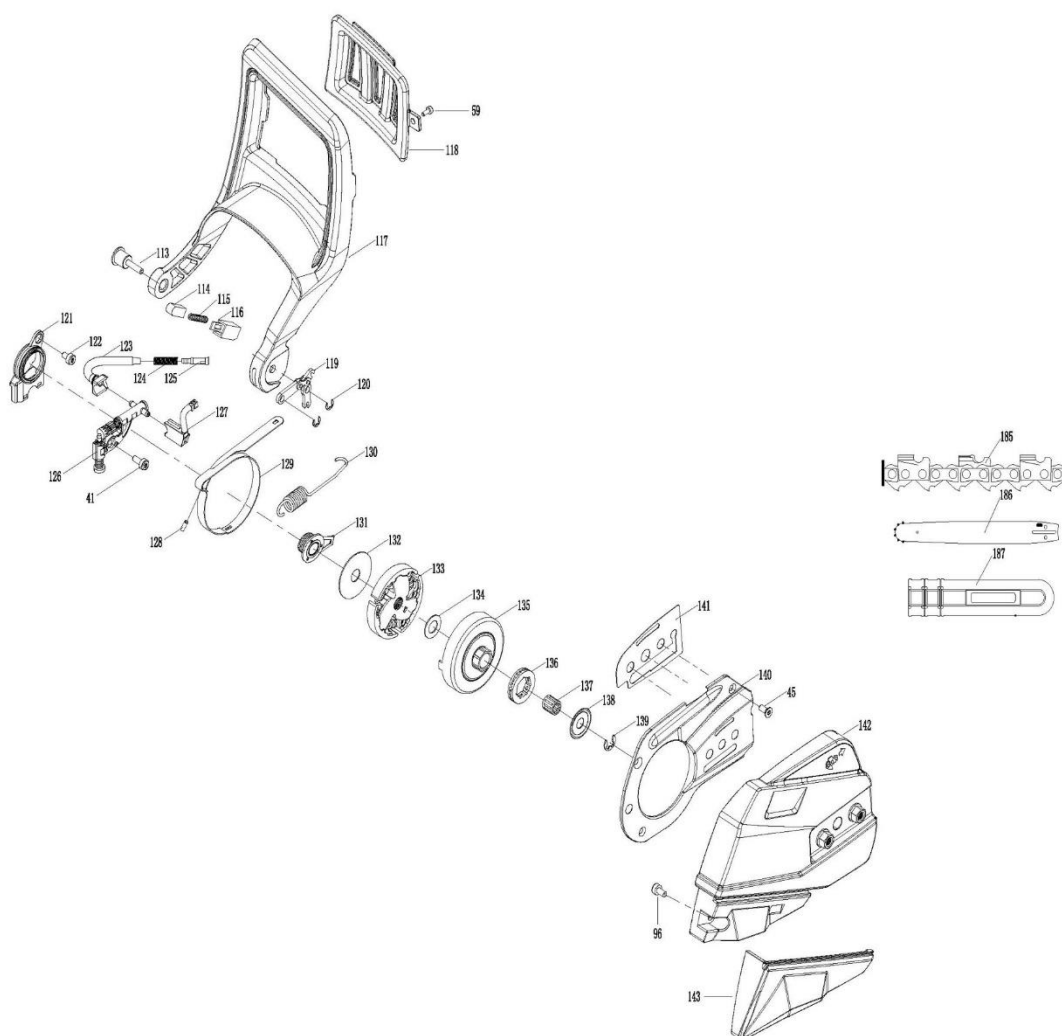


Nr.crt	Denumire produs	Product name	Cod comanda
93	maner demaror	starter handle	psrm500-3-93
94	protectie	protection ring	psrm500-3-94
95	carcasa demaror	starter cover	psrm500-3-95
96	surub	tapping screw ST4.8×13	psrm500-3-96
97	sfoara demaror	starter rope Ø3.5×920	psrm500-3-97
98	capac	starter fence	psrm500-3-98
99	arc	starter spring	psrm500-3-99
100	rola sfoara	rope wheel	psrm500-3-100
101	arc	damper spring	psrm500-3-101
102	cuplaj	starter ratchet	psrm500-3-102
103	saiba	washer Ø5×Ø16×1.5	psrm500-3-103
104	deflector	flow guiding cover	psrm500-3-104
105	buton on/off	switch	psrm500-3-105

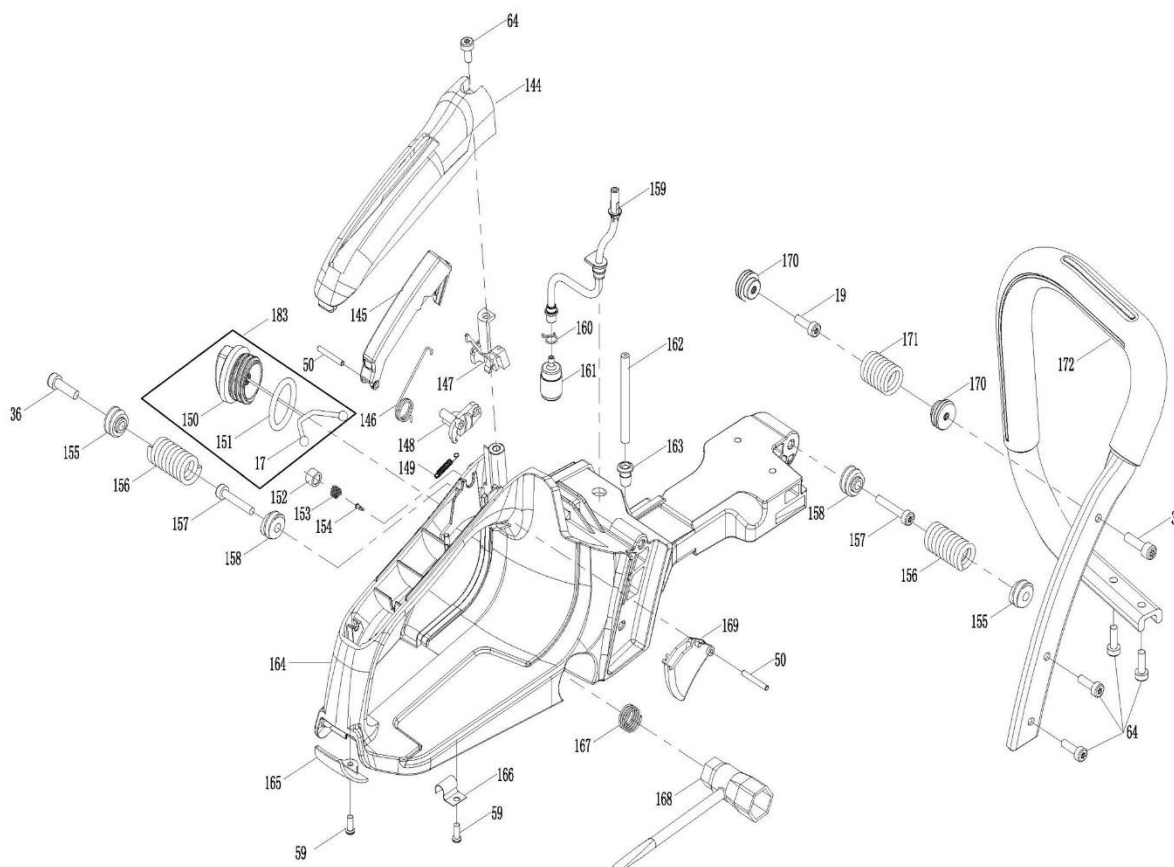
## Producător motoutilaje

## Documentatie tehnică

106	cablu	ground wire	psrm500-3-106
107	piulita	nut M8x1	psrm500-3-107
108	pana	semi-circle key	psrm500-3-108
109	modul aprindere	ignition	psrm500-3-109
110	bucsa	bush for front handle guard	psrm500-3-110
111	bujie	spark plug	br2t
112	volanta	rotator	psrm500-3-112
182	ansamblu demaror	starter assembly	psrm500-3-182
184	surub	screw M5x25	psrm500-3-184



Nr.crt	Denumire produs	Product name	Cod comanda
113	surub special	screw shaft	psrm500-4-113
114	capac arc	return spring fixture	psrm500-4-114
115	arc	return spring	psrm500-4-115
116	blocator arc	return spring cover	psrm500-4-116
117	frana	front handle guard	psrm500-4-117
118	capac frana	front fence	psrm500-4-118
119	parghie	gemel	psrm500-4-119
120	siguranta	E ring Ø5	psrm500-4-120
121	capac pompa ulei	oil pump cover	psrm500-4-121
122	surub	screw M5×8	psrm500-4-122
123	furtun	oil tube	psrm500-4-123
124	arc	oil filter spring	psrm500-4-124
125	sorb	oil filter	psrm500-4-125
126	pompa ulei	oil pump	psrm500-4-126
127	furtun ulei	spray nozzle	psrm500-4-127
128	bolt ghidaj	position pin Ø3×8	psrm500-4-128
129	colier franare	brake strap	psrm500-4-129
130	arc	brake spring	psrm500-4-130
131	antrenor pompa	worm	psrm500-4-131
132	saiba	washer for clutch	psrm500-4-132
133	ambreiaj	clutch	psrm500-4-133
134	saiba	washer Ø10.1×Ø17.8×0.8	psrm500-4-134
135	oala ambreiaj	clutch drum	psrm500-4-135
136	inel roata lant	sprocket	psrm500-4-136
137	rulment cu ace	needle bearing Ø10×Ø14×13	psrm500-4-137
138	saiba	anti-friction washer	psrm500-4-138
139	siguranta	E ring Ø8	psrm500-4-139
140	capac	brake spring cover	psrm500-4-140
141	placa	cover seal subplate	psrm500-4-141
142	capac roata lant	clutch cover	psrm500-4-142
143	capac	chip discharge cover	psrm500-4-143
185	lant	saw chain	psrm500-4-185
186	lama	guide bar	psrm500-4-186
187	protectie lama	protector	psrm500-4-187



Nr.crt	Denumire produs	Product name	Cod comanda
144	capac maner	rear handle cover	psrm500-5-144
145	blocator acceleratie	throttle trigger lock-out	psrm500-5-145
146	arc	throttle trigger spring	psrm500-5-146
147	ghidaj	guider base	psrm500-5-147
148	conector	connecting fitting	psrm500-5-148
149	arc	throttle trigger spring	psrm500-5-149
150	buson rezervor	fuel tank cap	psrm500-5-150
151	o-ring	O ring Ø28×Ø4	psrm500-5-151
152	bucsa	vent cap	psrm500-5-152
153	arc	spring	psrm500-5-153
154	supapa	vent valve	psrm500-5-154



## Producător motoutilaje

## Documentatie tehnică

155	amortizor	rear absorber spring base M6	psrm500-5-155
156	arc	rear absorber spring	psrm500-5-156
157	surub	tapping screw ST4.8x25	psrm500-5-157
158	amortizor	rear absorber spring base M7	psrm500-5-158
159	furtun alimentare	fuel tube	psrm500-5-159
160	siguranta	circlip	psrm500-5-160
161	filtru combustibil	fuel filter	psrm500-5-161
162	furtun	return pipe Ø2.5xØ6x130	psrm500-5-162
163	conector	return pipe base	psrm500-5-163
164	rezervor combustibil	rear handle	psrm500-5-164
165	capac	bottom cover	psrm500-5-165
166	suport prindere	strap spring	psrm500-5-166
167	arc	fixture spring	psrm500-5-167
168	cheie bujie	spark plug wrench	psrm500-5-168
169	cocos acceleratie	throttle trigger	psrm500-5-169
170	amortizor	front absorber spring base	psrm500-5-170
171	arc	front absorber spring	psrm500-5-171
172	maner	front handle	psrm500-5-172
183	ansamblu buson rezervor	fuel tank cap assembly	psrm500-5-183